

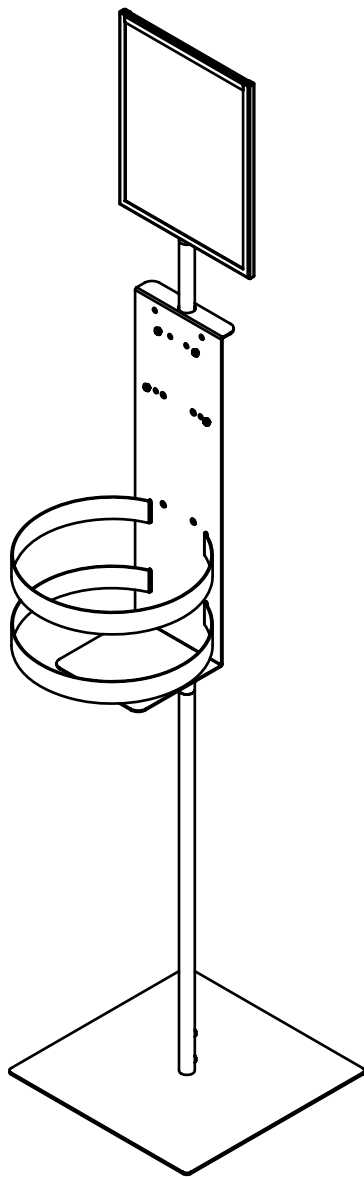
# ASSEMBLY INSTRUCTIONS – 284-SS // HAND SANITIZER STAND

## PARTS LIST

- 1 Base
- 1 Lower Extension Pole (A)
- 1 Upper Pole (B)
- 1 Sanitizer Holder
- 1 Sign Holder
- 7 1/2" Screws

- 4 1" Screws\*
- 4 Nuts\*

\*Optional for mounting dispensers

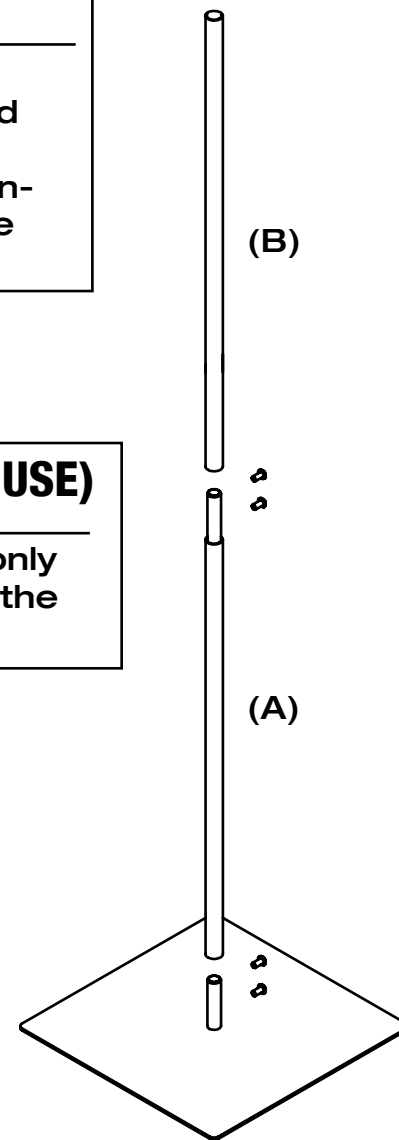


## STEP 1A (FLOOR USE)

For floor use, follow these steps. Use both pole A and pole B. Start by attaching Pole A to the base and connect Pole B on top. Secure with 1/2" screws.

## STEP 1B (COUNTERTOP USE)

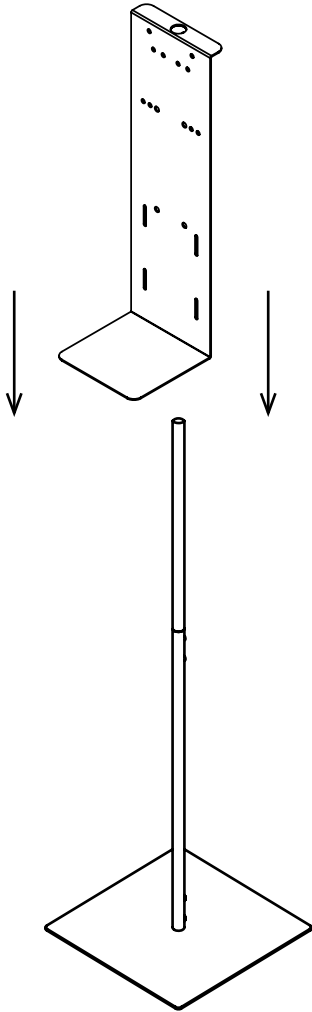
For countertop use, you only need Pole B. Secure it to the base using 1/2" screws.



# ASSEMBLY INSTRUCTIONS – 284-SS // HAND SANITIZER STAND

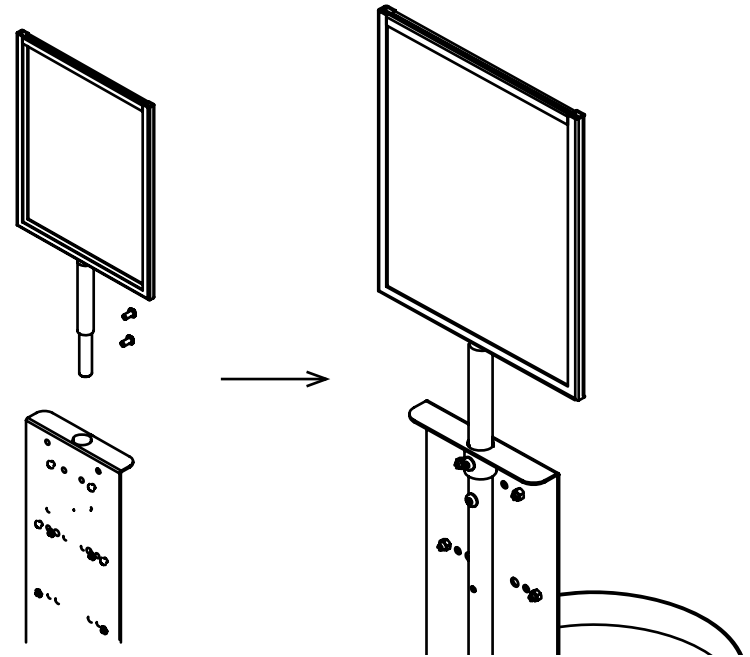
## STEP 2

Slide the Sanitizer Holder on to the pole.  
No hardware needed.



## STEP 3

Slide the sign holder into the hole of the Sanitizer Holder. Use 1/2" screws to secure the sign holder to the pole.



## STEP 4

Use optional mounting hardware or Velcro straps to secure your choice of hand sanitizer. Use mounting hardware for dispensers and Velcro straps for pump bottles.